

# OY8025-0965

## Broadband Directional Antenna

800 MHz-960 MHz, 1710 MHz-2500 MHz

Product code: OY8025-0965



Note: The picture is for reference only, please kindly consult with the real product..

### Features

- 800MHz to 2500MHz broad band
- Low VSWR
- Support the popular communications system currently
- Sealed with radome, Strong protection ability
- Supplied with down-tilt bracket for mast mounting, a down-tilt bracket for wall mounting is optional

Foshan Amplitec Tech Development Co.,Ltd



Add:No.1 Room,Second Floor,No.40,First East Tonghua Rd,  
Foshan City,Guangdong Province,China 528000

Tel:(86)757-83323709/83308238 Fax:(86)757-83123923

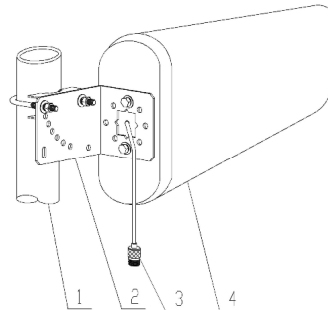
Website:www.amplitec.cn

Email:info@amplitec.cn

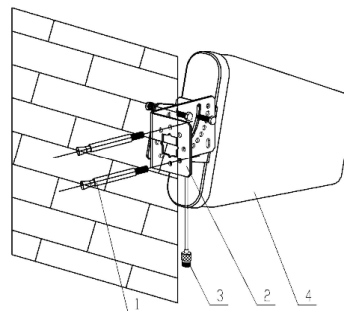
## Specifications:

Model	OY8025-0965		
Freq.Range-MHz	800-960		1710-2500
Beamwidth-°	E	60	55
	H	90	70
F/B Ratio-dB	≥18		≥18
Gain-dBi	8.2		9.5
VSWR	≤1.5		
Impedance-Ω	50		
Polarization	Vertical		
Max.Power-W	100		
Connector	N female or customized		
Dimensions (with bracket) -mm	293×210×65		
Weight(without bracket)-Kg	0.92		
Mast Diameter-mm	φ40 to 50		
Note:When installing, you should let the side with a little hole face down to prevent the antenna radome from water.			

## Installation Sketch



Mast Mounting

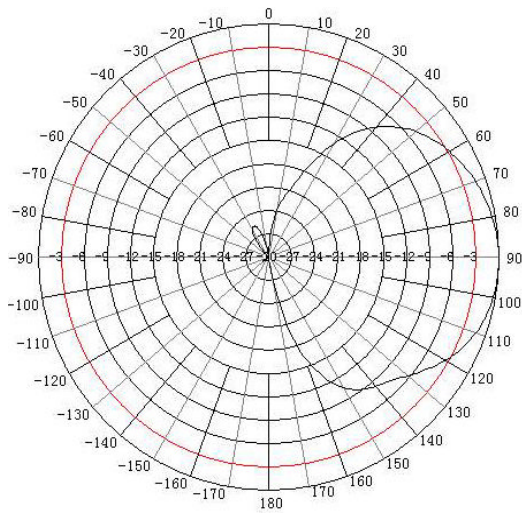


Wall Mounting

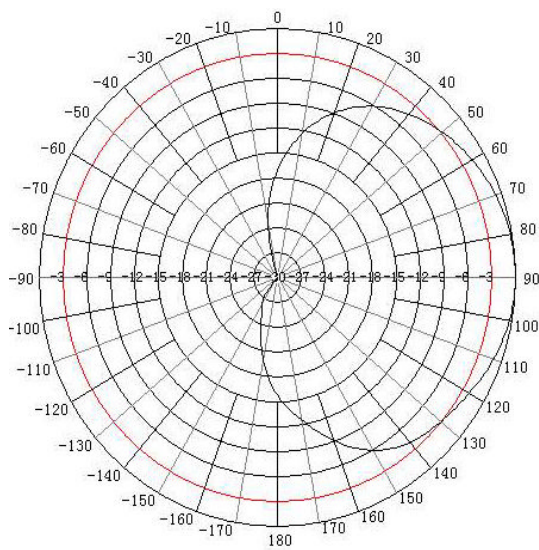
1. Mast(user-provide) or expansion bolt;
2. "L" mounting kit;
3. connector;
4. antenna

Radiation Patterns:

---



E plane



H plane